

LS200 Series high capacity regulators for distribution applications



FISHER™

LS200: Maintenance Has Never Been Easier

Introduction

The LS200 Series large direct-operated regulators have been engineered for performance. The LS200 is a high capacity regulator designed for monitor applications in district stations. The fail open design can be paired with pilot operated regulator worker. The integral slam-shut can provide a 2nd or 3rd layer of over pressure protection with minimal pipe changes.

The LS200 Series offers numerous options including:

- Slam-shut protection
- Travel indicator
- Expanded outlet flange body (4 in. / DN100)
- Corrosion resistance for 2000 hours
- 25% hydrogen ready

Product Advantages

- 15 minutes to change the disc
- Mount slam-shut on either side of the body for tight installations and ergonomics
- Positive latch slam-shut eliminates nuisance trips



LS224 Series

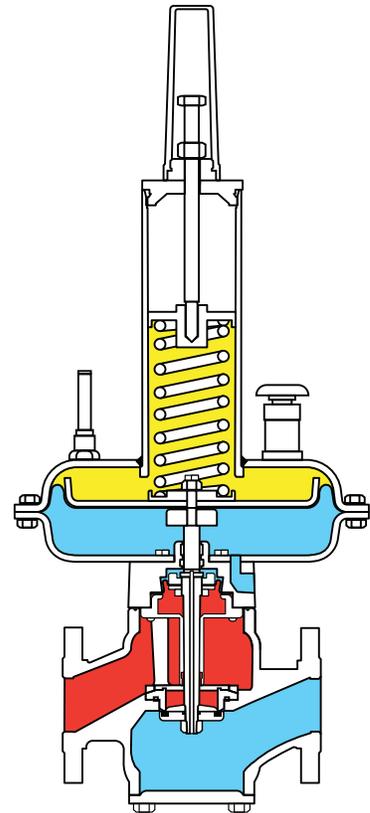
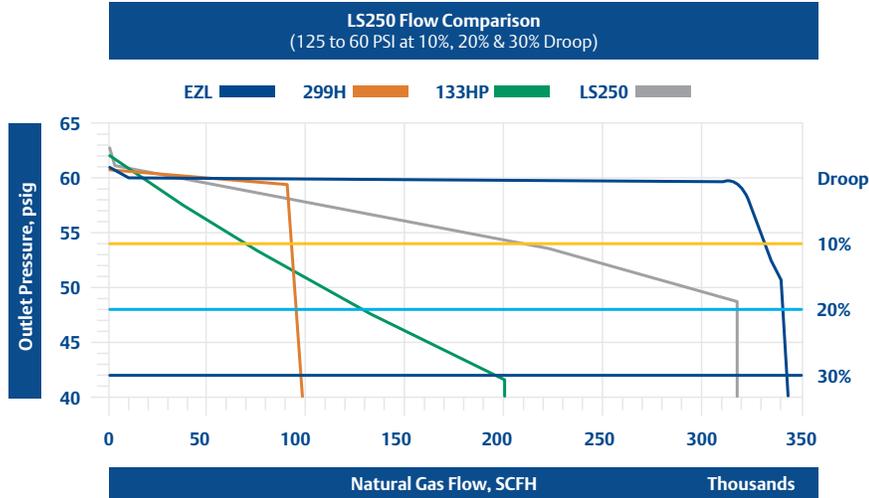
LS250 Series



EMERSON. CONSIDER IT SOLVED.™

Superior performance with best-in-class protection

The **LS200 Series** direct-operated design utilizes a balance trim. This allows for large 2 in. orifice across all operating inlet pressures which translates to large capacity performance from a direct-operated regulator. The LS200 can be combined with a pilot operated regulator in a district station without limiting the station capacity making the LS200 a great spring open option for mixed technology station design.

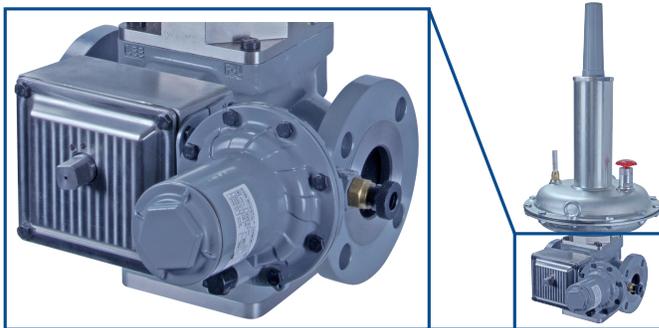


TYPE LS220

M1355

- INLET PRESSURE
- OUTLET PRESSURE
- ATMOSPHERIC PRESSURE

Slam-shut protection - Provides an integral slam-shut module that shuts off the flow of gas to the downstream system in an over pressure or under pressure situation. Designed for containment and no emissions in over pressure events.



Specifications and documentation page:
See the product specification and documentations using the above QR code with your phone.



See how the LS200 functions:
See the unit in augmented reality using the above QR code with your phone.

Emerson Automation Solutions

Americas

T +1 800 558 5853
T +1 972 548 3574

✉ webadmin.regulators@emerson.com

🔍 Fisher.com

Europe

T +39 051 419 0611

📘 Facebook.com/EmersonAutomationSolutions

Asia Pacific

T +65 6777 8211

🌐 LinkedIn.com/company/emerson-automation-solutions

🐦 Twitter.com/emr_automation

Middle East / Africa

T +971 4811 8100